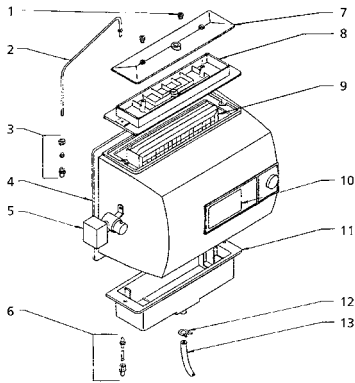
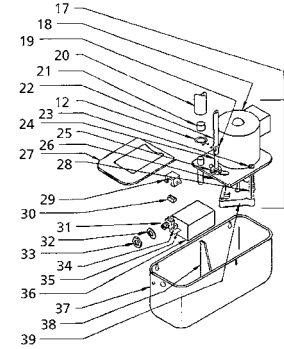
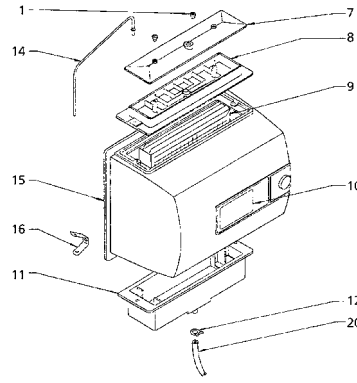


1042 Series

1042 and 1042-L/LH



Model 1042-R



Item	Qty. Req'd	GFI Number	Description of Part	LIST
				Retail
1	8	7043	1099-9 Thumb nut	\$2.00
2	1	7364	1042-5 Distributor tube for 1042 L/LH	\$14.66
3	1	7158	P103,104,111 Connector fittings	\$2.50
4	1	7363	1042-4 Cabinet assembly - 115V	\$130.00
		7368	1042-16 Cabinet assembly - 24V	\$130.00
5	1	7013	990-52 Solenoid valve assembly -115V for 1042 (includes fittings)	\$126.32
		7014	990-53 Solenoid valve assembly -24V for 1042 L/LH (includes fittings)	\$76.41
6	1	7008	990-37-76 Orifice and strainer assembly (std. water pressure 40 - 120 psi)	\$6.45
			7009	990-37-75 Orifice and strainer assembly (low water pressure 20 - 40 psi)
		7005	990-17 Strainer	\$.66

Item	Qty. Req'd	GFI Number	Description of Part	LIST
				Retail
21	1	6040	975-43 Drain tube adapter	\$.50
22		6019	975-34 Water supply tubing (4' of 5/16" I.D., R model only)	\$3.66
23	3	6033	P120 Motor mount grommet	\$.95
24	1	6014	975-29 Standpipe	\$14.66
25	1	6035	P116 Standpipe nut	\$.75
26	1	6010	975-16 R.H. lid assembly	\$18.33
27	1	6009	975-13 L.H. lid assembly	\$8.50
28	3	6017	975-41 Pump mounting stud	\$6.00
29	1	6007	975-10 Float valve assembly	\$24.20
		6005	975-6 Valve shield	\$.99
30	1	6004	975-1 Valve seat	\$.50
31	1	7122	727-24 Orifice fitting	\$6.50
32	1	6036	P117 Orifice washer	\$.40
33	1	6001	975-3 Orifice nut	\$.75
34	1	6026	P118 Cotter pin	\$.95
35	1	7121	727-34 Float arm	\$5.00
36	1	7119	727-32 Float	\$8.50
37		6008	975-48 Reservoir and baffle assembly	\$74.00
38	1	6020	975-12 Reservoir baffle	\$2.00
39	1	6011	975-17 Pump housing - bottom	\$1.50
		6012	975-18 Pump housing - top	\$1.50
		6013	975-49 Impeller and impeller screw	\$2.00
PARTS NOT SHOWN				
	1	8022	800-UST Self-tapping saddle valve kit	\$11.00
	1	7015	M3 Humidistat (24V for L and LH)	\$42.00
	1	7118	727-58 24V transformer (12VA)	\$22.00
	1	7367	1042-15 Parts bag (1042, L and LH)	\$24.00
	1	7373	1042-80 Parts Bag with Solenoid 24V	\$100.00
	6	7345	1137-15 Stud	\$.82
	4	7140	40-7 Speed nut	\$.66
		8035	8035 Humidex tablets	\$12.00
	1	7359	1042-11 Damper Knob	\$4.00
	1	7358	1042-3 Damper Assembly (Includes washer and 990-69 spring)	\$8.00

2% 10th Prox. Net 30 Days. F.O.B. Novi, Michigan